



Drum Pedals & Hardware

1999/2000



Drum Pedals

Pearl's Power Shifter and Power Pro pedals shatter the limitation of existing pedal design and set the new standard for speed and smoothness, virtually becoming an extension of the drummer's body and mind by responding to every nuance and inflection at any tempo.



P-201P

- Power Shifter Function
- Quad Beater
- Double Chain Drive
- Floating Spring Pendulum
- Infinite Beater Angle
- Adjustable Height Footboard
- Roller Cam Hoop Clamp System
- Power Plate



P-101P

- Power Shifter Function
- Quad Beater
- Single Chain Drive
- Floating Spring Pendulum
- Infinite Beater Angle
- Roller Cam Hoop Clamp System
- Power Plate



P-101

- Quad Beater
- Single Chain Drive
- Floating Spring Pendulum
- Infinite Beater Angle



P-100

For budget conscious drummers seeking the finest pedal in its class, the P-100 offers the look and (basic) construction of the Power Pro but at a fraction of the price.



P-100S

Strap drive pedal for drummers preferring the progressive action of its Nautilus shaped cam.



Quad Beater (PATENTED)



Uni-Pressure Spring Clamp (PATENTED)
The Uni-Pressure Spring Clamp allows infinite beater angle adjustment for perfect stroke length and balance without changing spring tension.

Power Shifter (PATENTED)

Solid Steel Power Plate

The Power Plate adds rigidity and stability to focus 100% of your energy into the bass drum.

Roller Cam Hoop Clamp System (US.PAT 5726370)

Pearl's side accessible hoop clamp system makes pedal attachment and removal fast and simple. With no interference from clamp bolts, low footboard angles can be achieved without "bottoming-out."

Easy Adjustable Spring Tension Knob

Our oversize spring tension knobs provide solid grip and easy adjustment without tools.

Footboard Angle Adjustment

The chain on the P-201P adjusts to three positions to customize the footboard angle to your individual playing style without changing beater angle and spring tension.



Super Quiet Chain Channel

All Pearl chain drive pedals feature toothless cams with felt-lined channels for efficient power transfer and totally silent operation, a must for recording. Single and double chain versions are available.

Floating Spring Pendulum

The spring is attached directly in-line with the rocker cam (not off to the side) for maximum efficiency. The integrated spring roller features needle bearings and contributes to the Power Shifter / Power Pro's extraordinary smoothness and incredible speed. The spring is dampened with felt to assure silent action in all playing situations.

Twin Pedals

Power Shifter and Power Pro twin pedals include all the benefits of their single pedal counter parts for speed and smoothness unrivaled by others. The low-mass aircraft quality aluminum drive shaft features precision universal joints for superb tracking, speed, and smoothness. Twin pedal conversions are available for Power Shifter and Power Pro single pedals. All models are available in left and right handed versions.

Power Shifter (US.PAT 5574237)

The Power Shifter is a major advancement in pedal technology. By "shifting" the footboard forward or back, the leverage and thus the feel of the pedal is altered from light, medium, and heavy to suit your personal playing style.



- a. Heavy, linear feel
- b. Medium, linear feel
- c. Lighter, progressive feel

Quad Beater (US.PAT 5610351)

The Quad Beater features two plastic and two felt surfaces. One face of each pair produces a sharp attack; the other, a fat attack thus giving the Quad Beater four distinct sounds. The provided square Stop-Lock assures perfect head / beater alignment and quick sound changes.



- A. Soft with sharp attack
- B. Soft with fat attack
- C. Hard with sharp attack
- D. Hard with fat attack



P-202TW

- Power Shifter Function
- 2 Quad Beaters
- Double Chain Drive on both pedals
- Floating Spring Pendulum
- Infinite Beater Angle
- 2 Adjustable Height Footboards
- Roller Cam Hoop Clamp
- Power Plate
- Aircraft Quality Aluminum Drive Shaft

P-202TWL

Twin Pedal Complete for Left-handed Players

P-201TW

Twin Pedal Primary Side Only



P-102TW

- Power Shifter Function
- 2 Quad Beaters
- Single Chain Drive on both pedals
- Floating Spring Pendulum
- Infinite Beater Angle
- Roller Cam Hoop Clamp
- Silent, Smooth Chain Channel
- Power Plate
- Aircraft Quality Aluminum Drive Shaft

P-102TWL

Twin Pedal Complete for Left-handed Players

P-101TW

Twin Pedal Primary Side Only



P-100TW

The affordable P-100TW is the perfect choice for drummers starting double bass. Advanced features-borrowed from the Power Pro-give performance rivaling other pedals costing hundreds more.



Aircraft Quality Aluminum Drive Shaft

All Pearl double pedals feature low-mass, low inertia aircraft quality aluminum drive shafts for phenomenal speed, smoothness, and exception tracking. Every movement of your foot -no matter how subtle-is transferred to the bass drum for control and precision seldom matched by even single pedals! The drive shaft telescopes over a wide range for infinite positioning possibilities.

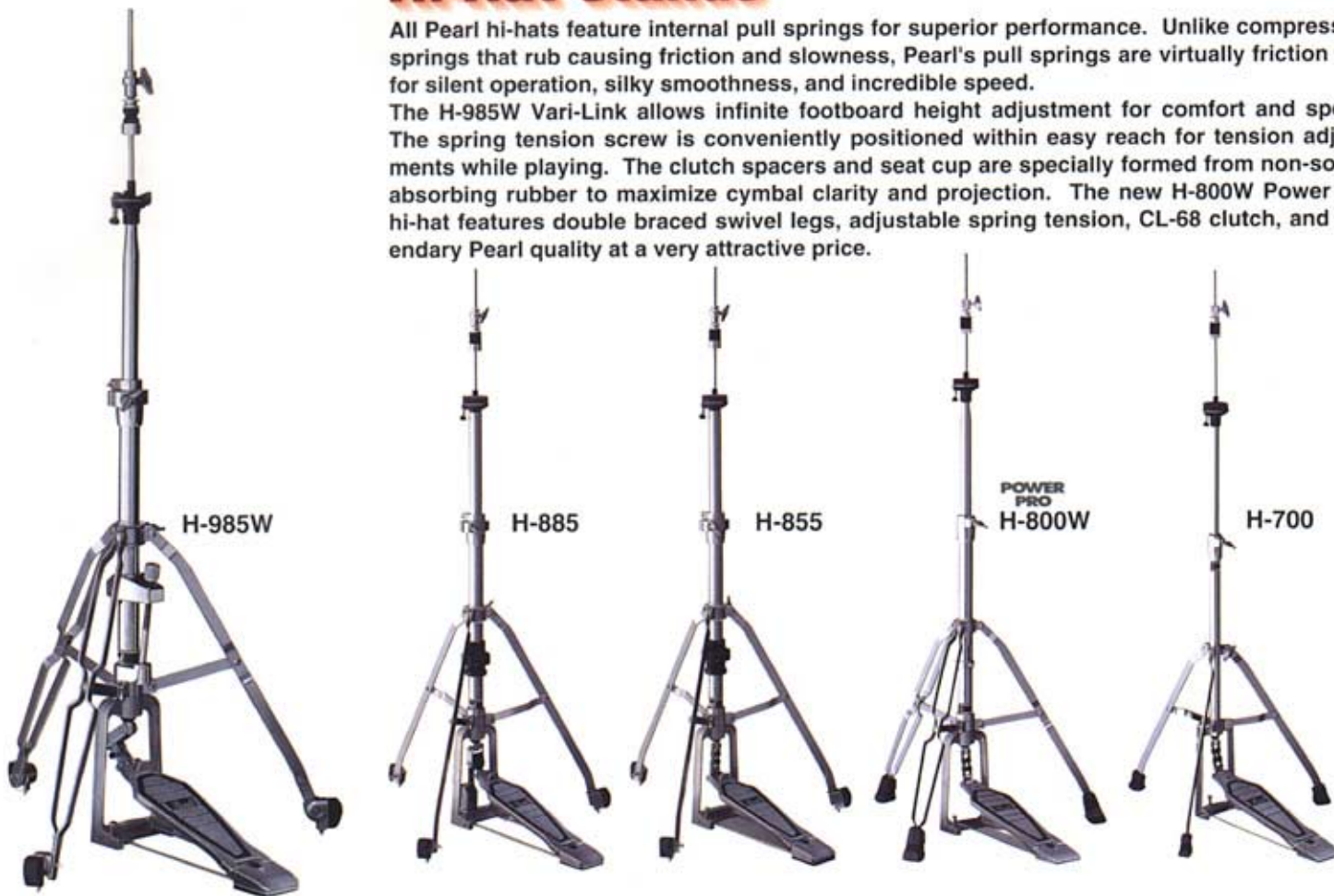
Optional PS-85 Stabilizer

The PS-85 features spike / rubber tip spurs for additional stability and slip resistance of secondary pedals.

Hi-Hat Stands

All Pearl hi-hats feature internal pull springs for superior performance. Unlike compression springs that rub causing friction and slowness, Pearl's pull springs are virtually friction free for silent operation, silky smoothness, and incredible speed.

The H-985W Vari-Link allows infinite footboard height adjustment for comfort and speed. The spring tension screw is conveniently positioned within easy reach for tension adjustments while playing. The clutch spacers and seat cup are specially formed from non-sound absorbing rubber to maximize cymbal clarity and projection. The new H-800W Power Pro hi-hat features double braced swivel legs, adjustable spring tension, CL-68 clutch, and legendary Pearl quality at a very attractive price.



Spring Tension Adjustment

The H-985W's new spring tension system is ergonomically located for easy reach and adjustments while playing.



Vari-Link System (PAT. PEND.)

The Vari-Link System features an adjustable linkage for infinite footboard angle settings. The footboard angle can be set for optimum playing comfort and to match the height of double pedals for quick transitions.



Swiveling Legs

Pearl hi-hats feature swivel legs for use with double pedals and cowbell/percussion foot pedals. Available on H-985W, H-885, H-855 and H-800W models.



Roller Pulley System (US.PAT 5018426)

The H-885's Roller Pulley System requires half the effort of direct drive hi-hats for amazingly light and swift action for those preferring this feel. The footboard angle is adjustable for comfort.

Hi-Hat Clutch (CL-98P)

The CL-98P hi-hat clutch grips the pull rod at three points for dependable, slip-proof performance. Minimal-contact rubber spacers allow the cymbals to ring freely for openness, projection and clarity that must be heard to be believed.



Cymbal Seat

Our new rubber cymbal seat contacts the cymbal at only three points for noticeably improved resonance and clarity. The "fingers" are contoured to help keep the cymbal centered for consistent sound. Available on the H-985W.



Spike / Rubber Tips

The H-985W features reversible spike/rubber tips for slip-resistance on all types of floor surfaces. The gear tilter allows precise tip adjustment for best stability.



Spike / Rubber Tips

The H-885 and H-855 feature fixed position reversible spike/rubber tips for extra stability.



Optional DCL-90 Drop Clutch

The DCL-90 Drop Clutch closes the hi-hats without foot pressure. This allows playing "two-footed" patterns and closed hats at the same time. Normal hi-hat play is resumed by simply stepping on the footboard.



CLH-95A

Closed Hat (CLH-95A)

The CLH-95A features 7-ways positioning for precise placement of closed hi-hats. The top mounted tension nut allows easy tension adjustments while playing.

Hi-Hat Attachment (HA-95L)

The HA-95L attaches the hi-hat next to the bass pedal on double bass sets for easy reach and quick transitions.



HA-95L

Snare Stands

Our top of the line S-985W Snare Stand features a dual pivoting Uni-Lock basket angle adjustment system for state of the art precision. Other features include oversized rubber snare grips, nylon sleeved pipe joint for smooth action, and sturdy double braced legs with reversible rubber/spike feet. Our S-885W offers all the outstanding features of the S-985W without the reversible spike feet. Our S-850 features a Uni-Lock basket tilter, oversized snare grips, nylon sleeved pipe joint and sturdy single braced legs. The S-850L, S-800WL and S-700L feature longer tops for concert applications.



S-985W



S-885W



S-850



POWER PRO
S-800W



S-700



Uni-Lock Angle Adjustment System

The Uni-Lock System permits infinite angling for precise snare drum positioning. The S-985W and S-885W feature dual-action Uni-Lock tilters for simultaneous fore / aft and left / right positioning for perfect drum placement.



Spike / Rubber Tips

The S-985W features spike tips for additional slip-resistance when needed. Gear tilters permit the tips to remain perpendicular to the floor regardless of tripod spread.



Snare Basket Adapter (PAT. PEND.)

The SBA-1 fits onto the tips of Pearl snare stands to accommodate 12" diameter snare drums. Sold in sets of three.



S-850L

S-800WL
NEW

S-700L

Drum Thrones NEW

Pearl's all new, completely redesigned throne line features a wide variety of styles and features to perfectly fit your playing needs. Our top of the line D-210 features a highly padded oversize bike style seat, redesigned seat clamping system, new super strong one step locking collar with twist post height adjustment, and a newly designed angled double braced leg tripod for a super sturdy stance. Our D-110 throne provides a highly padded round vinyl covered seat with all the same outstanding features as the D-210. The D-110C offers a breathable cloth covered seat and the D-110S provides a shorter height stance with a vinyl covered seat. Our all new D-80 throne provides a sturdy double leg tripod, easy height adjustment and an all new smaller style bike seat designed of both speed and comfort. The D-75 provides a round vinyl covered seat with all the same outstanding features as the D-80.



Redesigned Seat Clamping System

Our D-210, D-110, D-110S and D-110C feature a newly designed seat clamping system which offers perfect stability and security.



Newly designed Spiral Joint

Our D-210, D-110, D-110S and D-110C feature the new super strong one step locking collar with twist post height adjustment.



Standard Height Adjustment Joint

Our D-80 and D-75 feature a compression collar with nylon bushings for secure height adjustments. A stop-lock is provided for added slip resistance.



D-210



D-110



D-110S



D-110C



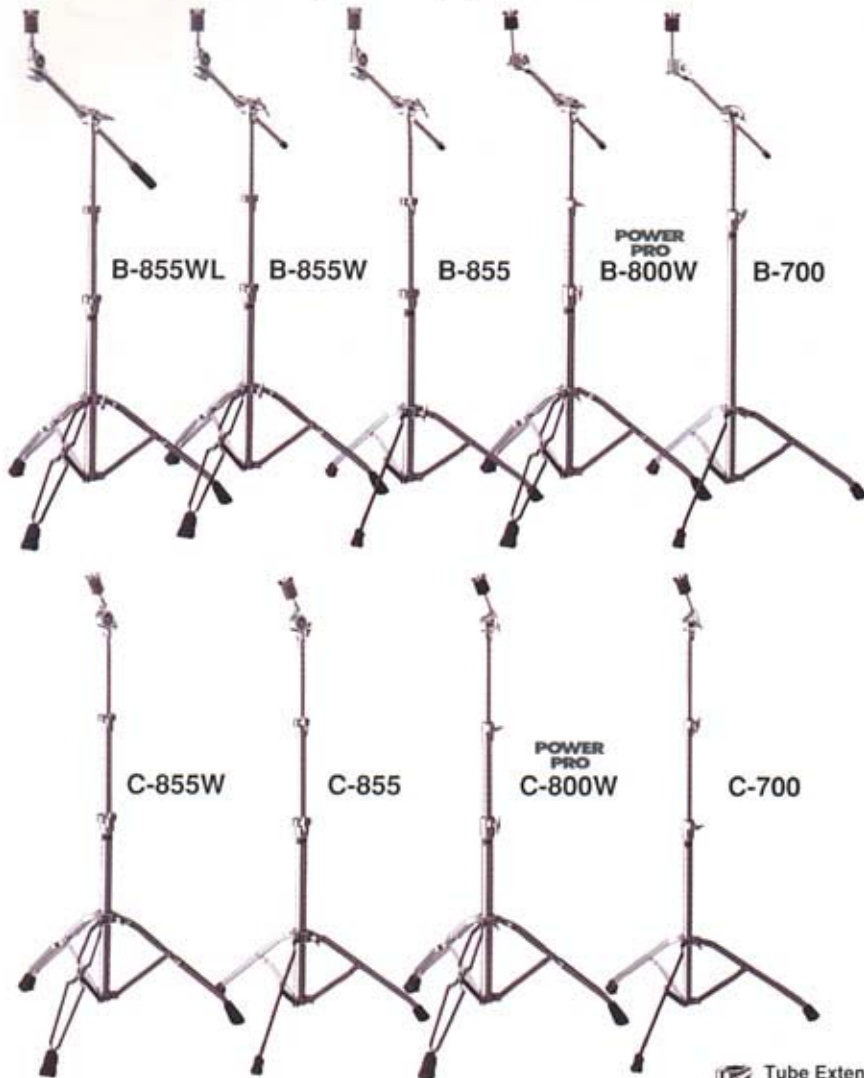
D-80



D-75

Cymbal Boom Stands & Cymbal Stands

Outstanding quality and features make Pearl cymbal and boom stands the finest available. All 855 series stands feature Uni-Lock infinitely adjustable tilters for precise cymbal positioning. 855 and 800 series boom stands are equipped with Stop-Locks on the boom arms for slip-prevention and quick set-ups. For value, nothing beats the new Power Pro series. The B-800W and C-800W offer double braced legs, three sections, slim-line pipe joints, and superior Pearl quality at prices heretofore only offered by "private label" brands.



Uni-Lock Tilter
The Uni-Lock Tilter features an internal "brake drum" type locking system for infinite angling possibilities and slip-proof dependability.



Boom Arm Stopper
All 855 series and 800 series boom stands feature Stop-Lock equipped boom arms for quick, repeatable set-ups and 100% slip-prevention.



Nylon Bushing Joint
All 855 series stands feature non-marring nylon bushings for slip-proof height settings and long-lasting beauty.



New Smart Look Joint
The Power Pro series stands feature new slim-line pipe joints for outstanding visual appeal. Nylon sleeve assures 100% vertical alignment of the tubes.

Cymbal Holders

Pearl cymbal holders are available with features and prices to fit all applications and budgets. The rack compatible CH-88L, CH-88, and CH-80 cymbal holders feature 7/8" posts and Stop-Lock equipped boom arms. The CH-88L (with counter weight and extended boom) and CH-88 feature infinitely adjustable Uni-Lock tilters for exact cymbal positioning. The CH-75 features a gear titer and smaller diameter post for use with adapters and PC-5 pipe clamps.



Tube Extender NEW
TX-80

Our TX-80 Tube Extender allows you to increase the reach or height of any cymbal arm, tom arm or stand that uses a 7/8" diameter pipe. For a stand, simply remove your existing pipe, slide in the TX-80 and slide your existing pipe into the TX-80.

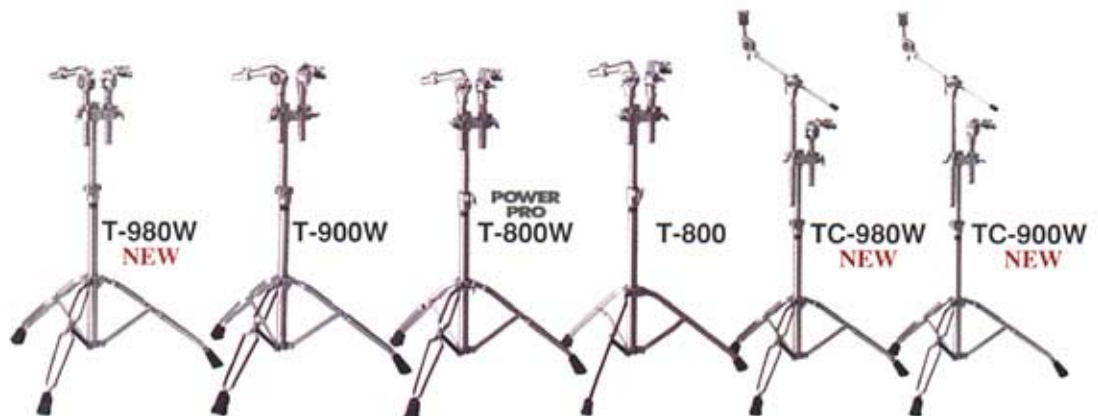


CH-70

The CH-70 features a fully adjustable boom arm with built-in quick release adapter. Affordable, portable, and compact, the CH-70 is ideal for mounting splashes and small crash cymbals.

Tom Stands

Pearl tom stands are available in single and double braced versions with gear or infinitely adjustable Uni-Lock tom holders. All models feature AX-35 triple clamps with quick release jaws. Our new T-980W provides sturdy double braced legs and two top of the line TH-100S tom holders. Our T-900W offers the same stability with our patented TH-98S tom holders. Our T-800W and T-800 stands feature gear tilters tom holders. Our TC-980W and TC-900W stands are a combination tom and cymbal stand providing an easy and compact alternative to single stands.



Drum Racks



ICON Rack

Our patented non-slip square tube rack design has always separated Pearl from the pipe puzzle type designs offered by others. Our ICON Rack System provides independent control over the height of each tube and its square aluminum tube design insure your mounts will not spin or loosen after they're positioned. ICON also provides square stabilizer feet offering the most sturdy, rock solid rack on the market today.



DR-500

The DR-500 features three independently height adjustable sections: a front and two side "wings." Quick release couplers and memory clamps permit the DR-500 to be assembled quickly and repeatedly. Additional DR-500E extenders can be purchased for double bass and custom set-ups. Includes four PC-50 pipe clamps.



DR-500



DR-500L



DR-500E

Height Adjustable Joint

The quick release couplers feature hinged jaws for quick assembly / removal and height adjustability. Memory clamps assure repeatable set-ups and easy configuration changes.



Pipe Clamps

The newly designed PC-50 and PC-8 pipe clamps feature hinged quick release jaws for quicker set-ups. Both accommodate 7/8" posts and feature Stop-Lock receptors. The PC-5 features adjustable jaws and accommodates smaller diameter accessories such as CH-75 cymbal holder.



PC-50

PC-8

PC-5

RJ-50

Rack Joint
NEW

DR-80

The DR-80 is a three section rack with slightly smaller tubing. The fixed-height legs are removable and the sections fold for easy transport. Includes four newly designed PC-8 pipe clamps.



Tom Holders

Pearl tom holders are available with both our patented Uni-Lock (infinity adjustable) or gear-type tilters, and in both standard and short length versions. Our TH-100I, TH-98I and TH-88I feature short arms for use with OptiMount or I.S.S. equipped toms. Our totally new TH-100 series Uni-Lock Multi-Directional Tom Holder provides a super smooth, gear-less continuous feel and rotates both horizontally and vertically without changing the height or rotation within the bass drum or tom stand mount.



TH-100
NEW

TH-100S
NEW

TH-100I
NEW

TH-98

TH-98S

TH-98I

TH-88
NEW

TH-88S
NEW

TH-88I
NEW

OptiMount Suspension System NEW

Our new OptiMount Suspension System mounts to the tom's tension rods and floats on rubber cushions, providing the ultimate in stability while allowing the drum to resonate fully unrestricted. With OptiMount, the mounting hardware is completely removed from the drum shell providing a drastic improvement in resonance and sustain.



OPT-0708

OPT-0910

OPT-1112

OPT-1314

OPT-1516

I.S.S. Integrated Suspension System

(PATENTED / US.PAT 5544561)

Our standard I.S.S. mounts also remove all mounting hardware from the shell and clamp to the rim providing the quickest, easiest mounting system available today.



IS-0810SL

IS-1216SL

Adapters

AX-20

The AX-20 features dual parallel clamps with quick release jaws. The jaws adjust to accommodate a wide range of tubing sizes.



AX-25 / 25L

The AX-25 / 25L features twin independently rotateable clamps for multi-angle applications. The clamps feature adjustable quick release jaws and gear tilters for non-slip security. The AX-25L features a longer arm for extended reach.



AX-25



AX-25L



AX-35

The new AX-35 three-hole adapter features hinged quick release jaws for super quick attachment and removal. The AX-35 is standard on all Pearl tom stands and accepts 7/8" tubes with SX-2 Stop-Locks.



Training Pads

TK-100/TK-200

The TK-100 features rack-type styling for flexibility and realistic positioning. The newly designed rubber pads are extremely quiet and perfect for use in "sound-sensitive" environments. The TK-200 features two bass drum pads.



TK-100



TK-200



SD-50

The SD-50 features Pearl's newly designed rubber pad with realistic rebound and near silent performance. The stand and pad use heavy-duty 8mm threading for superior durability and stability.



BD-10

The BD-10 bass pad is perfect for practice at home or on the road. The wide pad accommodates double pedals and is specially formulated for extremely low noise and realistic feel. The universal-fit "hoop" accepts all brands of pedals and adjusts to compensate for different floor surfaces. Folds for transport.

Silencer Pads

RP-50

The RP-50 features five rubber discs for application on drum sets for silent practicing. Sizes include 12", 13", 14", and 16" pads (to fit most drum sets) and universal-fit bass pad with adjustable straps.

RP-40C

The companion RP-40C rubber cymbal pads consists of a pair 14" hi-hat disc, and two dual-sizes 18"/20" cymbal pads.



Pearl
The best reason to play drums.

Products and specifications are subject to change without notice.
Printed 5,99 in Japan.